

INTG3 Series - AC Pump

Integrity Series

GRI Product Application Sheet



Integrity Series

INTG3 AC Pump

INTEGRITY^{series}™



- **For AC applications:** Based off our INTG 3 BLDC drive system.
- **Auto Sensing:** Auto sensing 110V or 220V.
- Available for OEM quantity orders.
- Contact your GRI Territory Manager for more details.

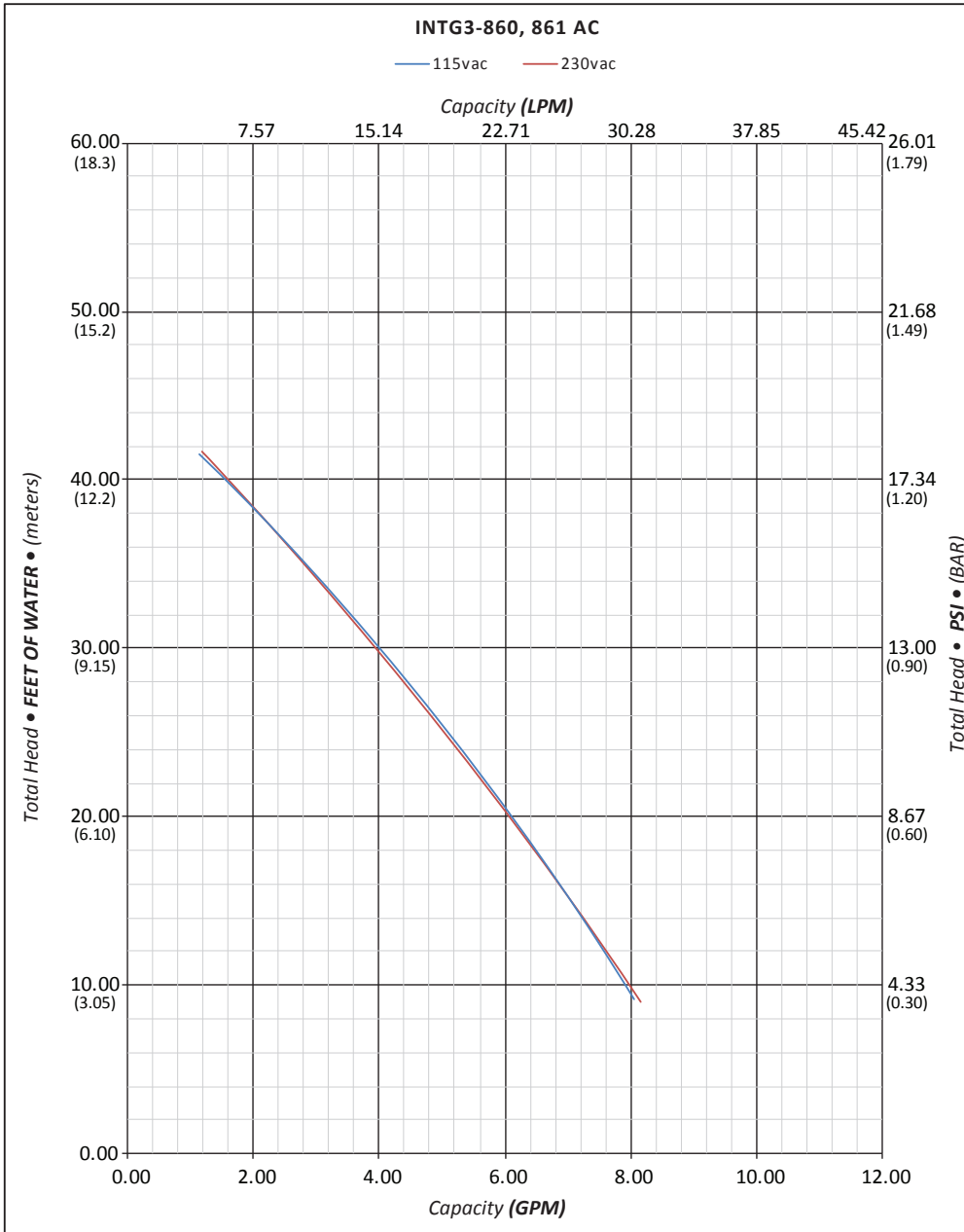
Tuned for performance, stability and longevity.

INTG3 AC SERIES MODELS		Ports Inches	Max Flow GPM (LPM)	Max Head Ft. (PSI) (m)	Voltage
EPDM O-Ring	FKM O-Ring				
INTG3-860 AC	INTG3-861 AC	1/2 MHB	6.70 (25.4)	37.00 (16.0) (11.3)	115 VAC

Connectors: MHB = Male Hose Barb; MPT = Male Pipe Thread | **O-Ring Material:** EPDM = Ethylene Propylene Diene Monomer, FKM = Fluoroelastomer.



180 Hines Ave. • Bellville, OH 44813 • PH: 419-886-3001 • FAX: 419-886-2338 • www.GRIpumps.com



Do Not Run Pumps Dry. Must have a flooded suction environment.

Note: Testing performed in a controlled laboratory environment. Actual performance may vary (+) or (-) 10% from the information shown.



INTG3-860 AC EPDM / 861 AC FKM

Performance, Electrical Data

115 VAC									
FLOW		TOTAL HEAD				POWER			
GPM	LPM	FEET	PSI	BAR	METER	WATTS	VOLTS	AMPS	FREQ
8.07	30.54	9.67	4.19	0.29	2.95	85.18	115.00	1.21	60.00
7.40	28.00	12.21	5.29	0.36	3.72	83.71	115.02	1.20	60.00
7.06	26.72	15.07	6.53	0.45	4.60	82.51	115.00	1.19	60.00
6.40	24.21	18.14	7.86	0.54	5.53	80.16	115.01	1.16	60.00
6.08	23.02	20.15	8.74	0.60	6.14	78.39	115.01	1.14	60.00
5.19	19.66	23.70	10.27	0.71	7.23	76.49	115.03	1.08	60.00
4.60	17.41	26.57	11.52	0.79	8.10	73.49	114.98	1.05	60.00
4.06	15.36	29.72	12.88	0.89	9.06	70.17	115.01	1.01	60.00
3.65	13.80	32.19	13.95	0.96	9.81	68.51	115.00	0.99	60.00
3.16	11.95	33.96	14.72	1.01	10.35	65.14	115.00	0.95	60.00
2.62	9.91	36.53	15.84	1.09	11.14	61.98	115.02	0.91	60.00
2.12	8.04	38.12	16.53	1.14	11.62	58.76	115.03	0.86	60.00
1.59	6.01	39.72	17.22	1.19	12.11	55.14	114.99	0.81	60.00
1.12	4.24	40.85	17.71	1.22	12.45	51.34	114.99	0.76	60.00
0.75	2.83	41.10	17.82	1.23	12.53	48.46	115.00	0.72	60.00
0.00	0.00	45.12	19.56	1.35	13.76	43.20	114.99	0.65	60.00

230 VAC									
FLOW		TOTAL HEAD				POWER			
GPM	LPM	FEET	PSI	BAR	METER	WATTS	VOLTS	AMPS	FREQ
8.18	30.96	9.57	4.15	0.29	2.92	87.67	230.01	0.76	60.00
7.32	27.73	12.98	5.63	0.39	3.96	85.80	229.99	0.75	60.00
6.99	26.46	14.64	6.35	0.44	4.46	85.00	229.98	0.75	60.00
6.57	24.87	18.07	7.83	0.54	5.51	83.06	229.98	0.73	60.00
5.95	22.53	20.16	8.74	0.60	6.14	81.30	229.99	0.71	60.00
5.16	19.54	23.32	10.11	0.70	7.11	78.65	229.99	0.69	60.00
4.58	17.33	26.61	11.54	0.80	8.11	75.57	230.00	0.67	60.00
4.26	16.13	28.47	12.34	0.85	8.68	73.85	229.98	0.66	60.00
3.72	14.10	31.71	13.75	0.95	9.67	70.94	230.01	0.63	60.00
3.21	12.16	33.78	14.64	1.01	10.30	68.79	230.02	0.60	60.00
2.72	10.29	36.39	15.78	1.09	11.10	65.86	230.02	0.58	60.00
2.18	8.27	37.48	16.25	1.12	11.43	62.64	230.01	0.55	60.00
1.64	6.20	39.35	17.06	1.18	12.00	58.91	230.01	0.52	60.00
1.16	4.37	41.21	17.87	1.23	12.57	55.66	230.02	0.49	60.00
0.75	2.85	41.50	17.99	1.24	12.65	52.17	229.99	0.45	60.00
0.00	0.00	44.55	19.31	1.33	13.58	48.02	230.01	0.41	60.00



Note: Testing performed in a controlled laboratory environment. Actual performance may vary (+) or (-) 10% from the information shown.



Electrical Specifications / Wiring Diagram

60W (DC)/24V INTG3 AC		
Wire Colors		
Line (AC)	Brown	
Neutral (AC)	Blue	
	GND	N/A
Frequency		50/60 Hz
Operating Voltage Range		100-240 VAC
Current at Nominal Voltage		1.21 A (at 115 VAC)
Max Current		1.4 A
Start-Up Time		< 3 seconds
Recommended Fuse		3 A (fast-acting)
		Note: Pump may take somewhat longer depending on the power supply



INTG3-860 AC EPDM / 861 AC FKM

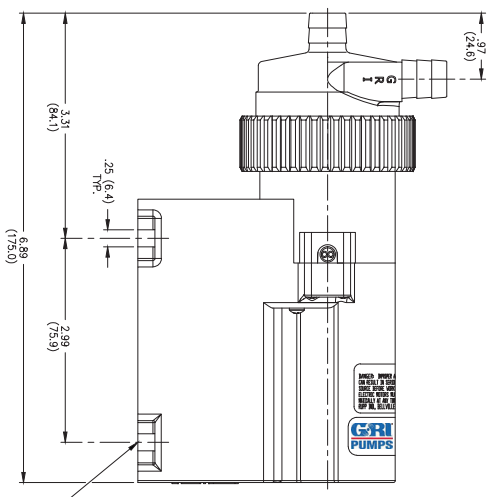
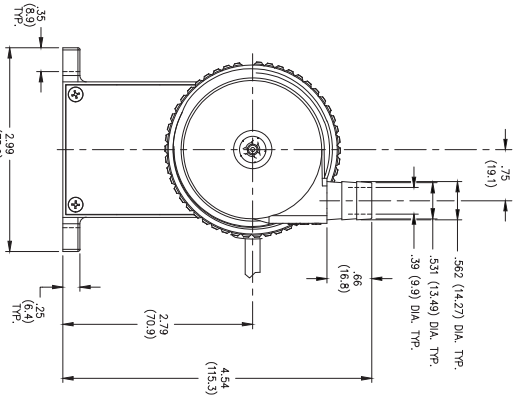
General Specifications, Wetted Materials

Do Not Run Pumps Dry. Pumps must be in a continuous flooded suction environment.

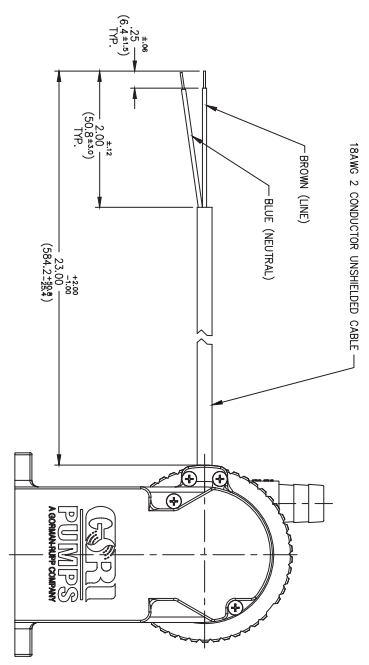
General Specifications	
In-House Stator	50 Turns, 25 AWG
Motor Magnets	Segmented Neodymium
Suction Port	1/2" MHB
Discharge Port	1/2" MHB
Mounting Bracket	PPS material
Max Fluid Temp	149°F (65°C)
Max System Pressure	75 PSI
Weight	Approximately .8 LBS, 390 Grams
Product Test Report	PTR24539

Wetted Materials	
Pump Body	PPS
Pump Adapter	PPS
Impeller	PPS
Impeller Shaft	Ceramic
Bearing	Ceramic
Static O-Ring	EPDM: INTG3-860 AC FKM: INTG3-861 AC
Agency Approvals	RoHS/REACH
Contact GRI.	Many GRI pumps are RoHS & REACH compliant. For declarations by specific model numbers, please contact GRI.





TIGHTEN SCREWS USED ON FOOT TO 3-8 IN. US. TORQUE (.339- .903 NEWTON METER) IN ORDER TO AVOID STARTING TORQUE APPLICATION MAY VARY.



INTG3-860 AC EPDM / 861 AC FKM Drawing & Dimensions

